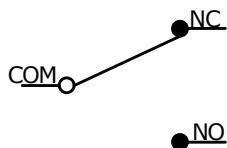


▲ O.P. (MM)	F.P. (MM)
13.4 ± 0.8	15.5 MAX

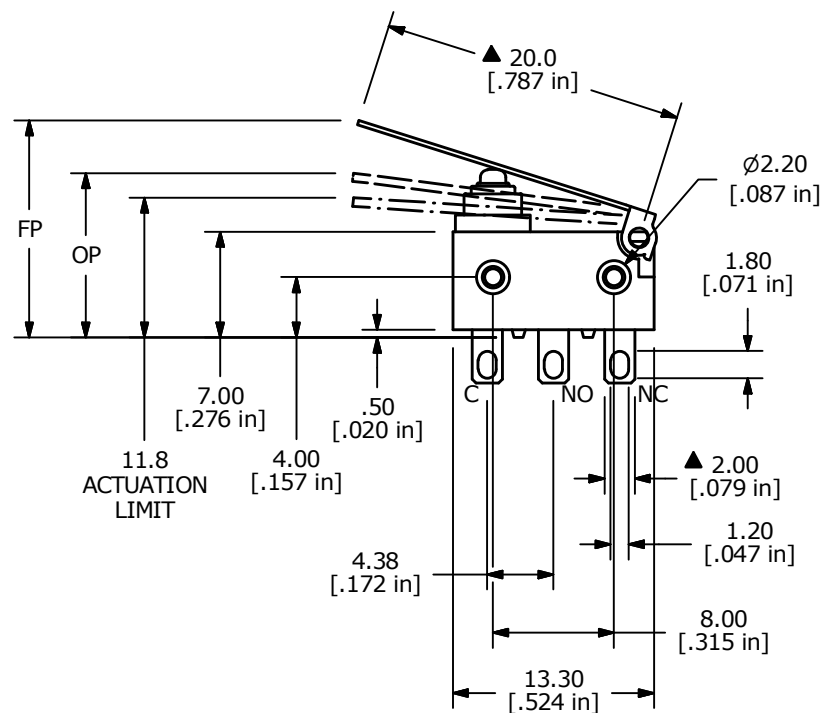
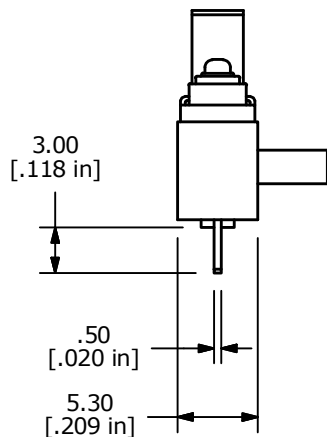
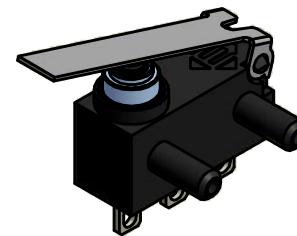
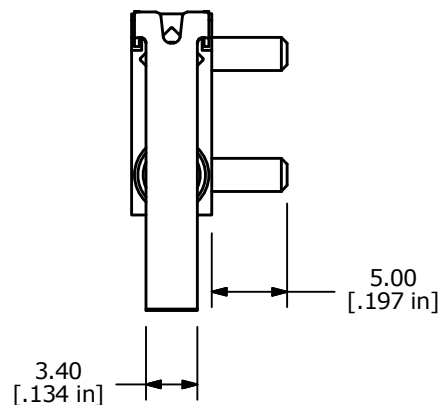
O.P. = OPERATING POINT
F.P. = FREE-POSITION



▲ CIRCUIT: SPDT

NOTES:

1. ALL DIMENSIONS IN MM [INCH]
2. GENERAL TOLERANCE: X.X ± 0.4
X.XX ± 0.25
3. RATING: .1A @ 125VAC; 2A @ 12VDC;
0.5A @ 42VDC; 1A @ 24VDC;
UL, CUL APPROVED
- ▲ 4. OPERATING FORCE: 50 +10/-30 GRAMS.
5. OPERATING TEMP: -25°C to 85°C
6. ELECTRICAL LIFE: 10,000 CYCLES MIN.
7. MECHANICAL LIFE: 1,000,000 CYCLES TYP.
8. INSULATION RESISTANCE: >100 MEGA-OHMS @ 500VDC
9. DIELECTRIC STRENGTH: 600VAC
10. CONTACT RESISTANCE: 100 MILLI-OHMS MAX (INITIAL).
11. 2011/65/EC (ROHS) COMPLIANT.
12. ▲ DENOTES CRITICAL PARAMETER.
13. ACTUATION BELOW THE 11.8mm ACTUATION LIMIT MAY CAUSE DAMAGE TO THE INTERNAL CONTACTS.
14. INGRESS PROTECTION: IP67



C	22778	added IP67 note	3/24/17	MW
B	22775	Revised force from 70 Max	3/22/17	rc
A	22608	New Release	11/30/16	rc
REV	PCR NO	DESCRIPTION	DATE	BY

THE INFORMATION CONTAINED IN THIS DOCUMENT IS PROPRIETARY TO E-SWITCH AND IS NOT TO BE COPIED OR TRANSFERRED



TITLE WS0850101F050SA				
SCALE	DATE	DR	DWG	REV
2:1	8/17/2016	rc	Q930002	C